

System type – GypLyner ceiling

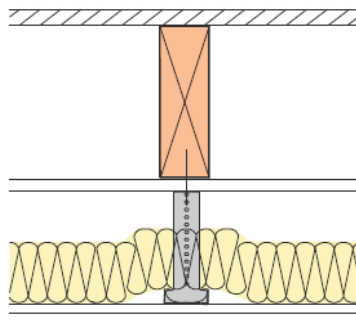
Product Substantiation Report (PSR) reference – **C154002**

**Performance characteristics**

Ceiling Fire Resistance (BS 476):	<b>30 mins</b>
Airborne Laboratory Sound Resistance (BS EN 717):	<b>57 R<sub>w</sub>dB</b>
Impact Laboratory Sound Transfer (BS EN 717):	<b>61 L<sub>nw</sub>dB</b>
Ceiling depth below structure (excluding finishes):	<b>75 – 170mm</b>

Performance criteria stated above relates to GypLyner suspended ceiling installed below a **timber joist structure with wood flooring** of following minimum characteristics.

Timber joist minimum width:	<b>50mm</b>
Timber joist maximum centres:	<b>450mm</b>
Minimum thickness & grade of flooring:	Minimum 18mm tongued & grooved wood board flooring



**Framing components**

Ceiling Section installed maximum centres:	<b>450mm</b>
Lining channel reference:	<b>Gypframe GL1 Lining Channel</b>
Suspension reference:	<b>GL2/GL9/GL12 at 1200mm centres</b>
Acoustical sealant:	Gyproc Sealant applied around perimeter of ceiling
Drawing references:	Refer to relevant Architects drawings

**Plasterboard components**

Number of plasterboard layers:	<b>2</b>	
Gyproc plasterboards:	Layer 1 (Inner):	<b>12.5mm Gyproc SoundBloc</b>
	Layer 2:	<b>12.5mm Gyproc SoundBloc</b>
Screw fixings for boarding:	Layer 1 (Inner):	<b>25mm Gyproc Drywall Screws</b>
	Layer 2:	<b>35mm Gyproc Drywall Screws</b>

All board joints installed staggered in accordance with Gyproc’s current installation recommendations.

- Joints in face layer boards treated in accordance with **Gyproc Paper Joint Tape** method.

- Gyproc DryWall screws installed at 230mm centres within the field of the board and 150mm centres along board ends.
- Gyproc DryWall screws must maintain a minimum 10mm penetration through metal framing components.
- **Gyproc Wafer Head Jack-Point Screws** used to fix Gypframe metal components together.

### **Insulation Component**

50mm Isover Modular Roll in Cavity

### **Finishing**

2mm **Gyproc Skimcoat** plaster (or **Carlite Finish**) applied in accordance with Gyproc's current recommendations.

Or

1 coat of **Gyproc Drywall Primer** prior to direct decoration (applied as soon as possible after board fixing is completed).

### Qualifications

All materials unless otherwise indicated shall be supplied by Gyproc, and shall be installed in accordance with their current published instructions and generally in accordance with all relevant Standards. Systems installed in full accordance with Gyproc's recommendations comprising of genuine Gyproc and Isover branded components qualify for the SpecSure lifetime system warranty.



# SpecSure®

### **Health & Safety**

Ensure that suitable personal protection is worn when handling Gyproc and Isover products/systems. All relevant Health and Safety Legislation and Guidelines must be followed. The relevant Material Safety Data Sheets must be referred to prior to specifying, handling or installing Gyproc & Isover products and systems.

### **Installation**

For full installation assistance refer to Gyproc Systems Solutions and Installation Guide literature which is available at [www.gyproc.ie](http://www.gyproc.ie). Alternatively contact the Technical Service department at 1800 744480 (RoI) or 0845 3990159 (NI). Full specification, detailing and site support can be offered for your project specific requirements.

### **Manufacturer**

Gyproc, Unit 4 Kilcarbery Business Park, Nangor Road, Dublin 22, Ireland